

# ON3.5EM-NRG

Narrow Multi-Deck End Cap Merchandiser with Synerg-E™  
(Dairy/Deli/Meat/Produce)

## REFERENCE NOTES FOR ENGINEERING DATA:

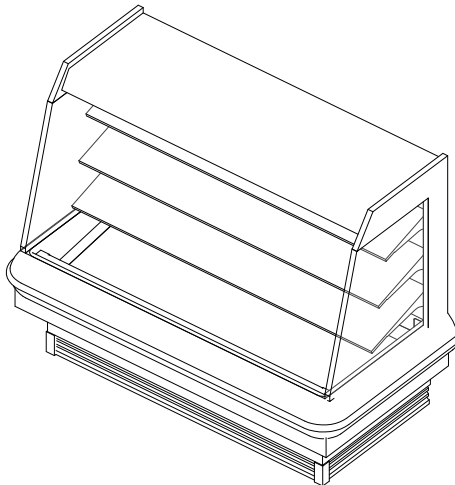
- Extended front sills are required to meat applications to maintain proper product temperature. An extended front has a minimum height of 24" on a 5" baseframe, or 30" on an 11" baseframe.
- BTUH/ft notes:
  - Listed BTUH/ft data represent unlighted shelves. For LED lighting, add 9 BTUH/ft per row of lighted shelving. For T8 lighted shelves, see Hillphoenix Bluebook Appendix D for BTUH, amp and watt data.
  - BTUH load increases by 123 BTUH/ft when aftermarket merchandising accessories are utilized.
- Listed evaporator temperature represents unlighted shelves. For lighted shelves and/or aftermarket merchandising accessories, reduce the listed evaporator temperature by 2°F.
- Conventional Discharge Air Control - Recommended Settings: Cut-in Temp + Discharge Air + 2°F; Cut-Out Temp = Discharge Air - 2°F.
- Listed discharge air velocity represents the average velocity at the peak of defrost.
- Temperature and defrost settings listed above are recommended start-up settings. Final operational settings may need to be adjusted for the store conditions in which the case operates.
- The recommended evaporator temperatures may need to be adjusted based on system setup, store conditions, etc. The minimum recommended evaporator temperature is 4°F below the listed evaporator temperature.
- LED lights only.
- Maximum of 2 rows of Standard Output LED lighted shelves.
- 3rd row or nose lights are not available.

## REFERENCE NOTES FOR CROSS SECTIONS:

### \*STUB-UP AREA

### \*\*RECOMMENDED STUB-UP CENTERLINE FOR ELECTRICAL AND HUB DRAINS AVAILABLE UPON REQUEST

- Front and rear sill heights vary with base frame height
- Ends add approximately 1 inch to case height
- A 2" minimum air gap is required between the rear of the case and a wall
- Suction Line (4' & 6') 5/8" M, Suction Line (4' & 6') 7/8", Liquid Line (ALL HEIGHTS) 3/8"
- Available shelf sizes: 10", 12", 14", 16" & 18"
- Product on top shelf should be 3 inches below discharge
- Recommended shelf configuration in rows: 1-12"
- Dashed lines signify area inside base rail behind kickplate



COMPONENT

## ON3.5EM-NRG

ALL MEASUREMENTS ARE TAKEN PER ASHRAE-72-2005 SPECIFICATIONS. HILLPHOENIX REFRIGERATED DISPLAY CASES FOR SALE IN THE UNITED STATES MEET OR EXCEED DEPARTMENT OF ENERGY 2017 EFFICIENCY REQUIREMENTS.

Rev Date:	Rev #	Revision Description:
4/21/2017	1	DOE 2017

**Hillphoenix**  
A DOVER COMPANY

# ON3.5EM-NRG

Narrow Multi-Deck End Cap Merchandiser with Synerg-E™  
(Dairy/Deli/Meat/Produce)

## ELECTRICAL DATA

Fans Per Case	High Efficiency Fans		Anti-Condensate Heaters	
	120 Volts		120 Volts	
	Amps	Watts	Amps	Watts
2	0.40	28.0	0.99	118.2

## LIGHTING DATA

Lights Per Row	Light Length	Clearvoyant v4 LED Lighting (Per Light Row)			
		Standard Power (Cornice or Shelf)		High Power (Cornice Only)	
		120 Volts		120 Volts	
		Amps	Watts	Amps	Watts
1	5'	0.06	7.5	0.15	18.5

## GUIDELINES and CONTROL SETTINGS

Application	Front Sill Height	BTUH/ft		Superheat Set Point @ Bulb (°F)	Evaporator (°F)	Discharge Air (°F)	Discharge Air Velocity (FPM)
		Conventional	Parallel				
Dairy/Deli/Produce	All	705	660	6-8	28	31	200
Meat	Extended	700	640	6-8	26	30	200
Dairy/Deli/Produce	All	5372	4589	6-8	28	31	150
Meat	Extended	5486	4686	6-8	26	30	150

## DEFROST CONTROLS

Defrost Per Day	Timed-Off Defrost	
	Fail-safe (Min)	Termination Temp (°F)
6	45	45



COMPONENT

ALL MEASUREMENTS ARE TAKEN PER ASHRAE-72-2005 SPECIFICATIONS. HILLPHOENIX REFRIGERATED DISPLAY CASES FOR SALE IN THE UNITED STATES MEET OR EXCEED DEPARTMENT OF ENERGY 2017 EFFICIENCY REQUIREMENTS.

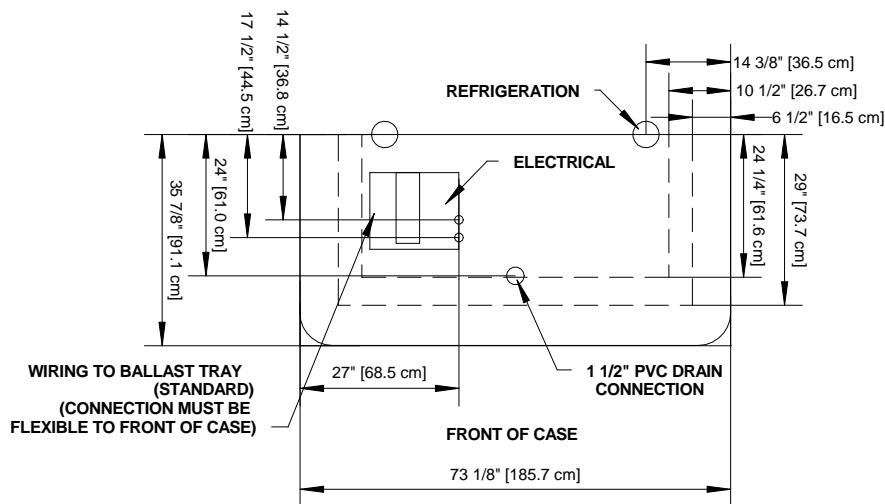
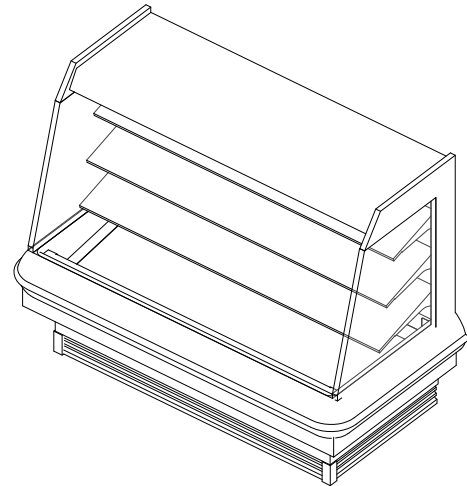
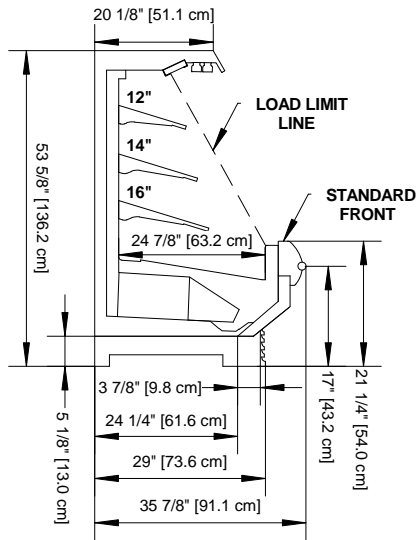
## ON3.5EM-NRG

Rev Date:	Rev #	Revision Description:
4/21/2017	1	DOE 2017

**Hillphoenix**  
A DOVER COMPANY

# ON3.5EM-NRG

Narrow Multi-Deck End Cap Merchandiser with Synerg-E™  
(Dairy/Deli/Meat/Produce)



COMPONENT

ALL MEASUREMENTS ARE TAKEN PER ASHRAE-72-2005 SPECIFICATIONS. HILLPHOENIX REFRIGERATED DISPLAY CASES FOR SALE IN THE UNITED STATES MEET OR EXCEED DEPARTMENT OF ENERGY 2017 EFFICIENCY REQUIREMENTS.

## ON3.5EM-NRG-END

Rev Date:	Rev #	Revision Description:
4/21/2017	1	DOE 2017

**Hillphoenix**  
A DOWER COMPANY