

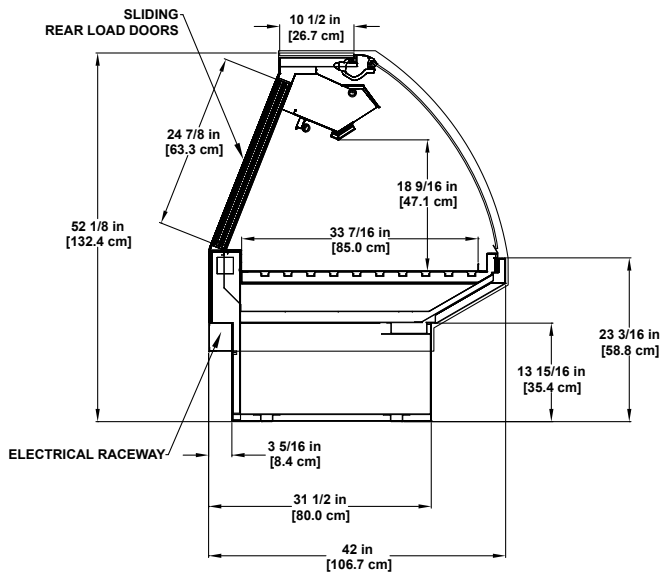
Service Single-Deck

Refrigerated gravity coil merchandiser for meat and seafood with curved or flat lift-glass.



Photo may depict options not included on standard models.

Model SMD-RG Service Single-Deck



Please consult Hillphoenix Engineering Reference Manual for dimensions, plan views and technical specifications. Specifications subject to change without notice. Designed for optional performance in store environments where temperature and humidity do not exceed 75 degrees and 55% R.H. Certified to UP 471 and ANSI/NSF Standard 7.

Available Options

- Mirror polish stainless steel, thermal glass divider or glass ends.
- Exterior standard grade laminate.
- Exterior stainless steel finish.
- Cart bumper.
- Glass rear sliding door.
- Cube style flip-up glass hardware with vertical glass.
- Flip-up work tops.
- Scale stand with dedicated circuit for ISO receptacle.
- Ice pans.
- Remote glycol or CO₂ refrigeration packages.
- Poly, solid surface and stone case top.
- Non-glare flat glass.

Base Model Features

- Sled runner base construction.
- Painted metal exterior.
- Standard 52"H with 42"D.
- 13-15/16"H Base painted metal to match exterior.
- 60 degree front die board.
- Stainless steel exterior trim.
- Stainless steel outside back.
- Sliding reflective rear load doors.
- Single-pane, regular-glare curved lift front glass.
- Stainless steel interior and trim.
- Flat bottom merchandising deck.
- Serpentine coil.
- Clearvoyant LED canopy lighting.
- Rear electrical raceway.
- Gravity coil refrigeration.
- Solar digital thermometer.
- Remote DX refrigeration package.
- Stainless steel case top.

Hillphoenix
A DOWER COMPANY

Conyers, GA USA
844.591.5937
hillphoenix.com

©2017 Hillphoenix, Inc.

FD--SMD-RGv1117